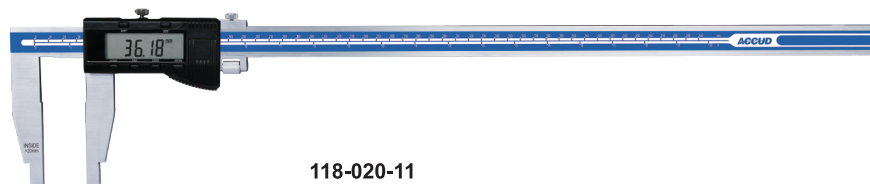


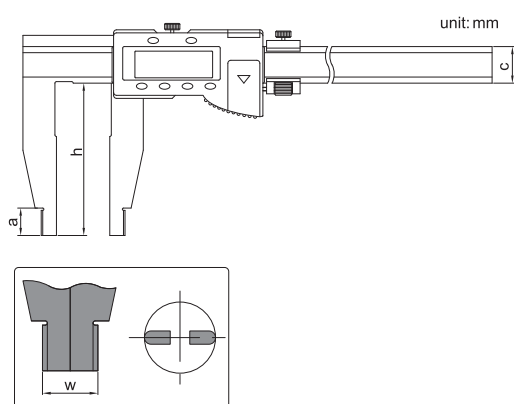
## DIGITAL CALIPER

## SERIES 118



118-020-11

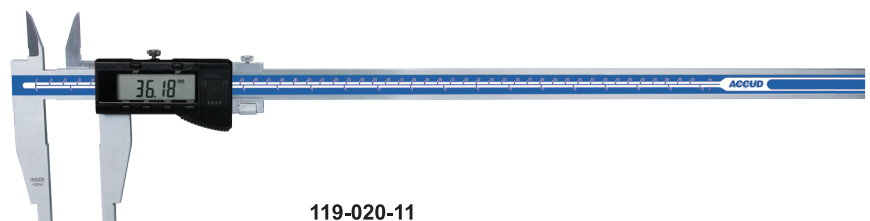
- ◆ Resolution: 0.01mm/0.0005"
- ◆ Buttons: on/off, zero, mm/inch, ABS, data preset
- ◆ Data output
- ◆ Made of stainless steel



Code	Range	Accuracy	a	c	h	w
118-012-11	0-300mm/0-12"	±0.04mm	12	24	100	20
118-012-12	0-300mm/0-12"	±0.05mm	12	24	150	20
118-020-11	0-500mm/0-20"	±0.05mm	18	24	100	20
118-020-12	0-500mm/0-20"	±0.06mm	18	24	150	20
118-020-13	0-500mm/0-20"	±0.06mm	18	32	200	20
118-020-14	0-500mm/0-20"	±0.08mm	18	42	300	20
118-024-11	0-600mm/0-24"	±0.05mm	18	24	100	20
118-024-12	0-600mm/0-24"	±0.06mm	18	24	150	20
118-024-13	0-600mm/0-24"	±0.06mm	18	32	200	20
118-040-11	0-1000mm/0-40"	±0.08mm	24	32	150	20
118-040-12	0-1000mm/0-40"	±0.08mm	24	32	200	20
118-040-13	0-1000mm/0-40"	±0.10mm	24	42	300	20

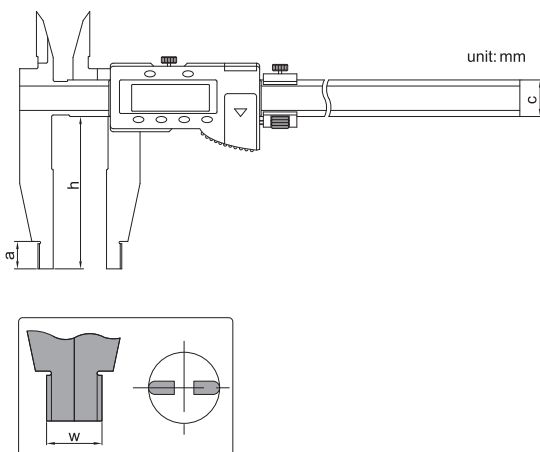
## DIGITAL CALIPER

## SERIES 119



119-020-11

- ◆ Resolution: 0.01mm/0.0005"
- ◆ Buttons: on/off, zero, mm/inch, ABS, data preset
- ◆ Data output
- ◆ Made of stainless steel



Code	Range	Accuracy	a	c	h	w
119-012-11	0-300mm/0-12"	±0.04mm	10	24	60	10
119-012-12	0-300mm/0-12"	±0.05mm	10	24	100	20
119-020-11	0-500mm/0-20"	±0.05mm	18	24	100	20
119-020-12	0-500mm/0-20"	±0.05mm	18	24	125	20
119-024-11	0-600mm/0-24"	±0.05mm	18	24	100	20
119-024-12	0-600mm/0-24"	±0.05mm	18	24	125	20
119-040-11	0-1000mm/0-40"	±0.08mm	24	32	150	20
119-040-12	0-1000mm/0-40"	±0.08mm	24	32	200	20