

## HY-256/306/606/606N

### Power buzzer

- Compact size, light weight, high capacity buzzer melody
- Excellent alarm function
- Suitable for panel installation
- Low power consumption



### Suffix code

Model	Code	Description
HY-	<input type="checkbox"/> - <input type="checkbox"/>	Power Buzzer
Dimension	256	For Ø25
	306	For Ø30
	606	Rectangular panel flush type (For Ø66)
	606N	Rectangular panel extended type ( <input type="checkbox"/> 80)
Power supply voltage	1	110 V a.c, 50/60 Hz
	2	220 V a.c, 50/60 Hz
	12	12 V d.c
	24	24 V d.c


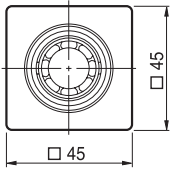
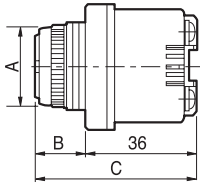

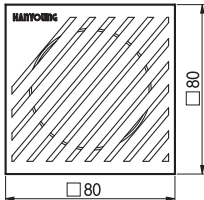
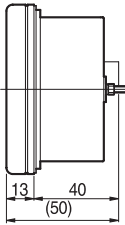
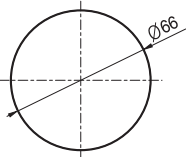

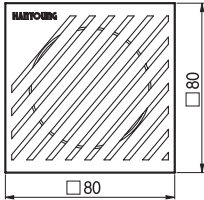
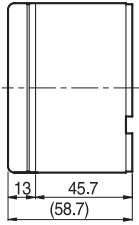
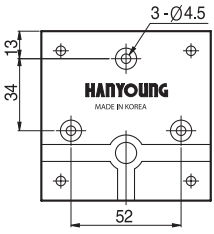
### Specification (HY-256, HY-306)

Model	Ø25	HY-256-1	HY-256-2	HY-256-12	HY-256-24
	Ø30	HY-306-1	HY-306-2	HY-306-12	HY-306-24
Power supply voltage		110 V a.c	220 V a.c	12 V d.c	24 V d.c
Power frequency		50/60 Hz		-	
Power consumption		Approx 4 VA		30 mA max.	
Decibel		85 dB (1m distance)			
Insulation resistance		100 M $\Omega$ (500V d.c insulation resistance meter)			
Dielectric strength		1,000 V a.c for 1min (recharging part-non recharging part)			
Ambient temperature		-10 °C ~ 55 °C			
Ambient humidity		45 - 85 % R.H.			

●● Specification (HY-606, HY-606N)

Model	flush type	HY-606-1	HY-606-2	HY-606-12	HY-606-24
	extended type	HY-606N-1	HY-606N-2	HY-606N-12	HY-606N-24
Power supply voltage		110 V a.c	220 V a.c	12 V d.c	24 V d.c
Power frequency		50/60 Hz		-	
Power consumption		Approx 8 VA		30 mA max.	
Decibel		85 dB (1m distance)		80 dB (1m distance)	
Insulation resistance		100 M $\Omega$ (500 V d.c insulation resistance meter)			
Dielectric strength		1,000 V a.c for 1 min (recharging part-non recharging part)			
Ambient temperature		-10 °C ~ 55 °C			
Ambient humidity		45 - 85 % R.H.			

●● Dimension (unit : mm)

Model	Appearance	Dimension												
HY-256 HY-306														
		Model	A	B	C	panel cutout	HY-256	$\varnothing 31$	27.5	74	$\varnothing 25.5^{+0.5}_0$ mm	HY-306	$\varnothing 36$	27.5
Model	A	B	C	panel cutout										
HY-256	$\varnothing 31$	27.5	74	$\varnothing 25.5^{+0.5}_0$ mm										
HY-306	$\varnothing 36$	27.5	74	$\varnothing 30.5^{+0.5}_0$ mm										
HY-606														
HY-606N														

Control switch  
Combination display light

Power switch  
Main switch  
Cam switch

Limit switch  
Micro switch

Hoist switch  
Foot switch  
Mono lever switch

Sign tower  
Signal light

Buzzer  
Terminal block  
Fuse holder

Control box  
Cable connector

Discontinued Products