

Coolant Proof Micrometers MDC-MX Series

*Twice as Long Battery Life as before and Drastic Improvement
in Measurement Efficiency*



Small Tool Instruments and Data Management



Catalog No.E12023

Mitutoyo



Coolant Proof Micrometers MDC-MX Series

*Twice as Long Battery Life as before and Drastic Improvement
in Measurement Efficiency*



- Approximately 2.4-year span of battery life
- Newly-employed nonslip surface with raised dots
- Ratchet thimble type*
- * Refer to the "SPECIFICATIONS" section on page 4.
- Oilproof material employed for plastic parts
- Compatibility with statistical process control and measurement systems

Mitutoyo

1. Digital micrometer standard type



2. Ratchet Thimble type that has improved operability with one hand



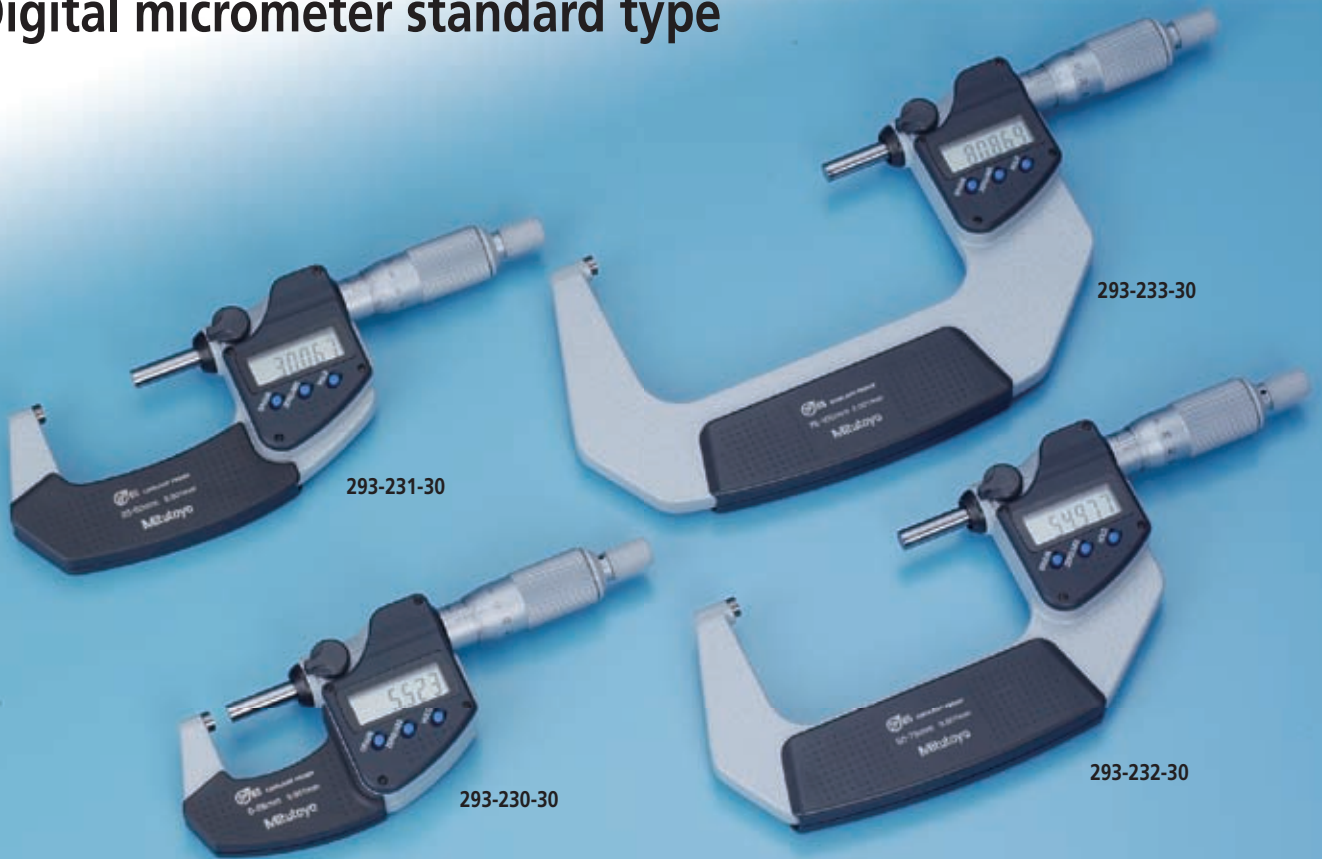
3. Plain Function, Simple design



Coolant Proof Micrometers



Digital micrometer standard type



- Approximately 2.4-year span of battery life has been achieved, thus reducing the inconvenience of replacing the battery.
 - A nonslip surface with raised dots is employed for the frame cover and surface panel to achieve stable handhold measurement.
 - The ratchet thimble mechanism helps to ensure repeatable results by transmitting microvibrations along the spindle to the contact face to provide a constant measuring force and encourage good contact with the workpiece. The ratchet works from the thimble as well as the speeder so it is always easy to use – even when making measurements onehanded.
- The sound of the ratchet provides the user with a sense of confidence and the speeder enables the rapid spindle feed needed when measuring widely different dimensions.
- Oilproof materials are used in all plastic components.
 - Two types of constant-force devices are available: Ratchet Stop and Ratchet Thimble.



Ratchet Thimble type that has improved operability with one hand



293-234-30



Improved operability with one hand



An inspection certificate is supplied as standard. (50mm/2" or less range model)

SPECIFICATIONS

		Metric										
		Order No.	Range	Accuracy	Parallelism	Measuring force	constant-force device	Mass				
With SPC data output		293-230-30	0 - 25mm	±1μm	1μm	5 - 10N	With ratchet stop	270g				
		293-231-30	25 - 50mm					330g				
		293-232-30	50 - 75mm		470g							
		293-233-30	75 - 100mm	±2μm	2μm	7 - 12N*	With ratchet thimble	625g				
		293-234-30	0 - 25mm	±1μm				280g				
		293-235-30	25 - 50mm	340g								
Without SPC data output		293-236-30	50-75mm	±2μm	2μm	5 - 10N	With ratchet stop	480g				
		293-237-30	75-100mm					635g				
		293-240-30	0 - 25mm	±1μm	1μm			7 - 12N*	With ratchet thimble	270g		
		293-241-30	25 - 50mm							330g		
		293-242-30	50 - 75mm		470g							
		293-243-30	75 - 100mm	±2μm	2μm					5 - 10N	With ratchet stop	625g
		293-244-30	0 - 25mm	±1μm								280g
		293-245-30	25 - 50mm	340g								
		293-246-30	50-75mm	±2μm	2μm					7 - 12N*	With ratchet thimble	480g
		293-247-30	75-100mm									635g

		Inch/Metric							
		Order No.	Range	Accuracy	Parallelism	Measuring force	constant-force device	Mass	
With SPC data output		293-330-30	0-1"	±0.0005*	.00004"	5-10N	With ratchet stop	270g	
		293-331-30	1-2"					330g	
		293-332-30	2-3"		470g				
		293-333-30	3-4"	±0.001*	.00008"	7-12N*	With ratchet thimble	625g	
		293-334-30	0-1"	±0.0005*				280g	
		293-335-30	0-1"	±0.0005*	.00004"			5-10N	With friction thimble
	293-336-30	1-2"	±0.0005*	330g					
	293-340-30	0-1"	±0.0005*	.00004"	5-10N	With ratchet stop	270g		
	293-341-30	1-2"					330g		
	293-342-30	2-3"		470g					
	293-343-30	3-4"	±0.001*	.00008"			7-12N*	With ratchet thimble	625g
	293-344-30	0-1"	±0.0005*						280g
	293-345-30	1-2"	±0.0005*	.00004"					5-10N
	293-346-30	2-3"	±0.0005*	.00008"	7-12N*	With ratchet thimble	340g		
	293-347-30	3-4"	±0.001*				480g		
	293-348-30	0-1"	±0.0005*	.00004"			5 - 10N	With friction thimble	275g
	293-349-30	0-1"	±0.001*		7 - 12N*	With ratchet thimble			280g

* Measuring force in the case of using the Speeder ratchet
Prior to measurement, apply a measuring force in the same condition to align the index line with the thimble zero line.



These marks indicate that a product has successfully passed IP65-level testing, which is carried out by the independent German certification organization TUV Rheinland.

IP Codes

Level 6: Dust-proof.

No ingress of dust allowed.

Level 5: Protected against water jets.

Water projected in jets against the enclosure from any direction shall have no harmful effects.

Technical Data

- **Resolution:** .00005"/0.001mm
- **Quantizing error:** ±1 is not included.
- **Flatness:** 0.3 μm
- **Dust/water protection level:** IP65 (IEC60529) *2
- **Measuring system:** Electromagnetic induction type rotary sensor
- **Battery:** SR44 (1 pc), 938882, for initial operational checks (standard accessory)
- **Battery life:** Approx. 2.4 years under normal use
- **Standard accessories:** Reference bar, 1 pc (except for 0-25mm (0-1") models) Spanner (301336), 1 pc

*2 Rustproofing shall be applied after use.

Coolant Proof Micrometers



Functions

• Origin point setting (ABS measurement system)

Resets the ABS origin at the current spindle position to the minimum value of the measuring range and switches to ABS mode.

• Zero-setting (INC measurement system)

A brief press on the ZERO/ABS button sets display to zero at the current spindle position and switches to the incremental (INC) measuring mode. A longer press resets to the ABS measuring mode.

• Hold:

Pressing the HOLD button freezes the current value in the display. This function is useful for preserving a measurement in situations of poor visibility where the instrument must be moved away from the workpiece before the reading can be recorded.

• Data output*4:

Models equipped with this function have an output port for transferring measurement data to a Statistical Process Control (SPC) system. *4: Only models with the data output function

• Auto power ON/OFF:

The reading on the LCD disappears after this instrument is idle for about 20 minutes, but the reading and measurement mode are retained. Turning the spindle causes the reading to reappear.

• Error alarm:

In case of an overflow on the LCD or a computing error, an error message appears on the LCD, and the measuring function stops. This prevents an instrument from giving an erroneous reading. Also, when the battery voltage drops to a certain level, the low-battery-voltage alarm annunciator appears well before the micrometer becomes unusable.

• Function lock*5:

This function allows the ORIGIN (origin point setting) function and the ZERO (zero-setting) function to be locked to prevent these points being reset accidentally. *5: All-digit preset type only

Optional accessories

(Only for models with data output function)

• Printer: Digimatic mini-processor DP1-VR

Connecting cables with output switch *3

1m: No.05CZA662

2m: No.05CZA663

*3 Both cables are also available for connection with such as IT-012U/IT-007R/MUX-10F



• USB Input Tool Direct: U-WAVE-T

USB-ITN-B (2m): 06ADV380B

• Wireless interface: U-WAVE-T (IP67type/Buzzer type)

No.02AZD730D/02AZD880D

U-WAVE-R is required separately on the PC side.

No.02AZD810D

Connecting cables for U-WAVE-T (160mm)

02AZD790B

For foot switch: 02AZE140B

DIMENSIONS

Unit: mm

Ratchet stop type

Dimensions: f, L, 25, 2, 48.5, 62.9, 10.8, a, e, $\phi 6.35$, $\phi 18$

Range	L	a	e	f
0-25mm	0	2.5	25	9
25-50mm	25		32.5	9.8
50-75mm	50		47	12.6
75-100mm	75		60	14

Ratchet stop

Ratchet thimble type

Dimensions: 63.6, $\phi 19.3$

Range	L	a	e	f
0-25mm	0	2.5	25	9
25-50mm	25		32.5	9.8
50-75mm	50		47	12.6
75-100mm	75		60	14

Ratchet thimble

Digimatic outside micrometers



Plain Function, Simple design

- Approximately 2.4-year span of battery life has been achieved, thus reducing the inconvenience of replacing the battery.
- Simple design, such as not incorporating data output, achieves low cost.
- Provided only with an origin-set button for easy origin setting.
- Two types of constant-force devices are available: Ratchet Stop and Friction Thimble.



SPECIFICATIONS

Metric					
Order No.	Range	Resolution	Accuracy	constant-force device	Mass
293-821-30	0-25mm	0.001mm	±2µm	With ratchet thimble	270g
Inch/Metric					
Order No.	Range	Resolution	Accuracy	constant-force device	Mass
293-831-30	0-1"	.00005"/0.001mm	±.0001"	With ratchet thimble	270g
293-832-30				With friction thimble	275g

Technical Data

- **Measuring force:** 5 -10N
- **Quantizing error:** ±1 is not included.
- **Measuring system:** Electromagnetic induction type rotary sensor
- **Battery:** SR44 (1 pc), 938882, for initial operational checks (standard accessory)
- **Battery life:** Approx. 2.4 years under normal use



293-821-30

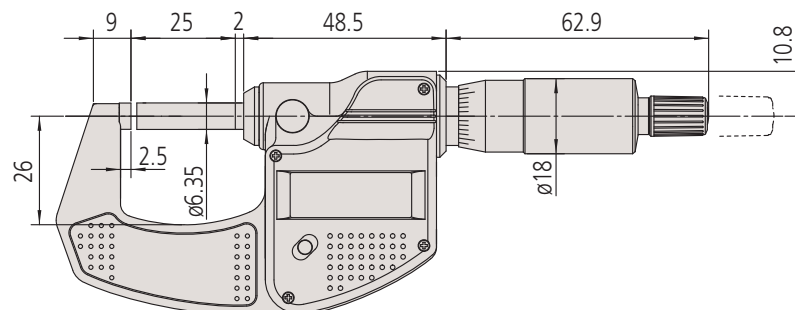


An inspection certificate is supplied as standard.

DIMENSIONS

Unit: mm

Ratchet stop type





Export permission by the Japanese government may be required for exporting our products according to the Foreign Exchange and Foreign Trade Law. Please consult our sales office near you before you export our products or you offer technical information to a nonresident.

- Coordinate Measuring Machines
- Vision Measuring Systems
- Form Measurement
- Optical Measuring
- Sensor Systems
- Test Equipment and Seismometers
- Digital Scale and DRO Systems
- Small Tool Instruments and Data Management

Note: All information regarding our products, and in particular the illustrations, drawings, dimensional and performance data contained in this pamphlet, as well as other technical data are to be regarded as approximate average values. We therefore reserve the right to make changes to the corresponding designs, dimensions and weights. The stated standards, similar technical regulations, descriptions and illustrations of the products were valid at the time of printing. Only quotations submitted by ourselves may be regarded as definitive.
 Our products are classified as regulated items under Japanese Foreign Exchange and Foreign Trade Law. Please consult us in advance if you wish to export our products to any other country. If the purchased product is exported, even though it is not a regulated item (Catch-All controls item), the customer service available for that product may be affected. If you have any questions, please consult your local Mitutoyo sales office.

Mitutoyo Corporation
 20-1, Sakado 1-Chome,
 Takatsu-ku, Kawasaki-shi,
 Kanagawa 213-8533, Japan
 T +81 (0) 44 813-8230
 F +81 (0) 44 813-8231
<http://www.mitutoyo.co.jp>

