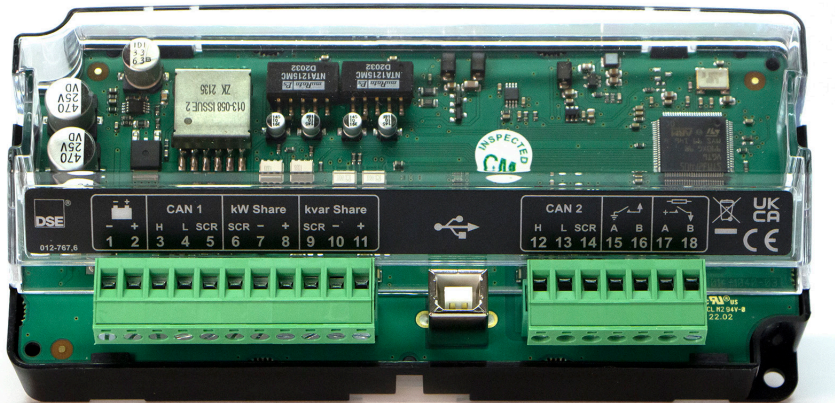


DSEG0123

Analogue Load Share Lines Interface

Part Number: G0123-01



Description

The DSEG0123 Analogue Load Share Lines Interface converts DSE AMSC / MSC digital load share communications to universal analogue load share lines, allowing DSE paralleling controllers to seamlessly deliver kW and kvar load sharing with third party manufactured products.

The DSEG0123 also allows the DSEG8600, DSEG8900, DSE8610 MKII, DSE8610, DSE7510 and DSE5510 controllers to be added to an existing DSE load sharing application and deliver kW and kvar load sharing across all DSE controllers within the system.

The flexibility of the DSEG0123 makes expanding existing systems extremely simple.

Features

- Converts a G8 Series AMSC* link to analogue load share lines.
- Converts a DSE MSC link to analogue load share lines.
- Compatible with multiple manufacturers paralleling controllers, including Cummins, Selco, Barber Colman, DEIF and Woodward.
- Configuration Suite PC software configuration.
- PC SCADA instrumentation for system diagnostics.
- Power on / status LEDs.
- USB programming port.

Notes:

- G8 Series controllers communicate across an AMSC link.*
- Non G8 Series DSE controllers communicate across an MSC link.
- AMSC or MSC compatibility configured within PC software.
- When configured for AMSC, CAN 1 & CAN 2 are available.*
- When configured for MSC, only CAN 1 is available.

* = Feature available at G8600 product launch.



Product Documentation

Title	Part No.
G0123 Installation Instructions (MSC)	053-262
G0123 Installation Instructions (AMSC)	053-263
G0123 Operator Manual (MSC)	057-348
G0123 Operator Manual (AMSC)	057-350
G0123 Configuration Suite PC Manual (MSC)	057-349
G0123 Configuration Suite PC Manual (AMSC)	057-351

DEEP SEA ELECTRONICS UK
T: +44 (0) 1723 890099
E: sales@deepseaelectronics.com
W: www.deepseaelectronics.com

DEEP SEA ELECTRONICS USA
T: +1 (815) 316 8706
E: usasales@deepseaelectronics.com
W: www.deepseaelectronics.com

DEEP SEA ELECTRONICS UAE
T: +971 (0) 45910819
E: uaesales@deepseaelectronics.com
W: www.deepseaelectronics.com

DEEP SEA ELECTRONICS INDIA
T: +91 20 68195900
E: sales@deepseaelectronics.com
W: www.deepseaelectronics.com

DSEG0123

Analogue Load Share Lines Interface

Specifications	
DC Supply	
Continuous Voltage Rating	8 V to 35 V DC continuous
Cranking Dropouts	Able to survive 0 V for 50 mS, providing supply was at least 10 V before dropout and supply recovers to 5 V. This is achieved without the need for internal batteries. LEDs and backlight will not be maintained during cranking.
Maximum Operating Current	150 mA at 12 V, 80 mA at 24 V
Maximum Standby Current	150 mA at 12 V, 80 mA at 24 V
Temperature	
Operating Temperature	-30° C to +70° C / -22° F to +158° F
Storage Temperature	-40° C to +85° C / -40° F to +185° F
Dimensions	
Overall (W x H x D)	164.5 mm x 76.4 mm x 48.9mm / 6.48" x 3.0" x 1.93"
Mounting	
DIN Rail	Yes

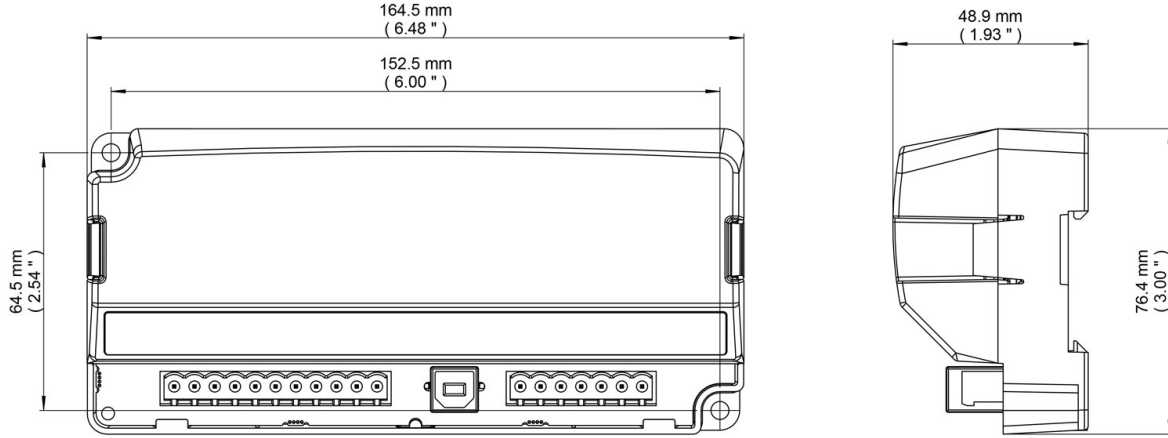
Related Products		
Controllers		
G8600	Parallel Genset Controller with Integral Heater	G8660-01
G8900	7" Colour Parallel Genset Controller	G8900-01
8610 MKII	Auto Start Load Sharing & Synchronising Control Module	8610-02
8610**	Auto Start Load Sharing & Synchronising Control Module	8610-01
7510**	Auto Start Load Sharing & Synchronising Control Module	7510-01
5510**	Auto Start Load Sharing & Synchronising Control Module	5510-01

** = Obsolete Product - Not available to purchase.

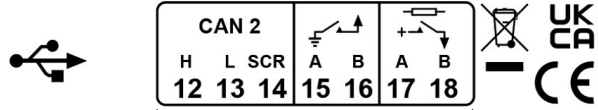
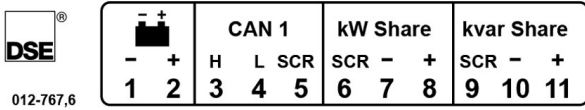
Environmental Testing Standards	
Electro-Magnetic Compatibility	
BS EN 61000-6-2	EMC Generic Immunity Standard for the Industrial Environment
BS EN 61000-6-4	EMC Generic Emission Standard for the Industrial Environment
Electrical Safety	
BS EN 61010	Safety of Information Technology Equipment, including Electrical Business Equipment
Temperature	
BS EN 60068-2-1	Ab/Ae Cold Test -30 °C
BS EN 60068-2-2	Bb/Be Dry Heat +70 °C
Vibration	
BS EN 60068-2-6	Ten sweeps in each of three major axes 5 Hz to 8 Hz at +/-7.5 mm, 8 Hz to 500 Hz at 2 gn
Humidity	
BS EN 60068-2-30	Db Damp Heat Cyclic 20/55 °C at 95% RH 48 Hours
BS EN 60068-2-78	Cab Damp Heat Static 40 °C at 93% RH 48 Hours
Shock	
BS EN 60068-2-27	Three shocks in each of three major axes 15 gn in 11 mS

DSEG0123
Analogue Load Share Lines Interface

Technical Drawing



Connection Diagram



AMSC only. Not active for MSC.

G123	
PIN	DESCRIPTION
1 to 2	DC Supply
3 to 5	CAN 1 (MSC / AMSC)
6 to 8	kW Share
9 to 11	kvar Share
12 to 14	CAN 2 (Redundant AMSC)
15 to 16	Digital Inputs
17 to 18	Digital Outputs