

HY-L800 series

Mini limit switch

- Less installation space due to the compact size
- Zinc die-casting body and plastic cover structure provide electrical safeties
- 4 types of actuators provide wide usages
- Able to install at the front side and back side
- Simple connecting because when open the cover, the terminal part is exposed to the front side.
- Applied to the machine tools, transportation machine, assembling line and various industrial machines



●● Suffix code

Model	Code	Description
HY-L80	□	Compact limit switch (HY-L800 series)
Actuator (operation part)	2	Roller Plunger type
	2C	Cross Roller Plunger type
	3	Top Plunger type
	4	Roller Adjustable Lever type
	7	Adjustable Rod Lever type
	8	Roller Lever type
	9	Coil Spring type


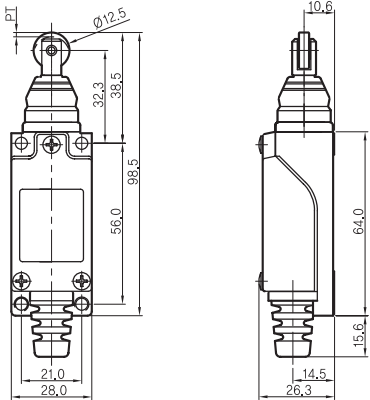
●● Specification

Contact structure	M3 screw tightening terminal, 2 circuits double type (1a1b)	
Contact material	AgNi	
Protective structure	IP 54	
Rated current(Ie)	6 A 250 V a.c (AC-12, AC-13)	
Dielectric strength	2,000 V a.c 50/60 Hz for 1 min (between the terminal and non-recharging metal part)	
Insulation resistance	Min 100 M Ω (500 V d.c insulated ohmmeter)	
Contact resistance	Max 20 M Ω (default value)	
Rated voltage(Ue)	250 V a.c	
Case material	Zinc die-casting and plastic body and plastic cover	
Vibration	Double amplitude 1.5 mm, frequency 10 ~ 55 Hz, continuously 2 hour	
Shock	300 % g (durability), 100 % g (malfunction)	
Max opening/closing frequency	Max 120 times / min	
Life expectancy	Mechanical	Min 1 million times (less than open / close frequency 120 times/min)
	Electrical	Min 100 thousand times (less than open / close frequency 30 times/min)
Ambient temperature	-10 ~ 70 °C	
Ambient humidity	45 ~ 95 % R.H.	
Weight	Approx 157g (HY-LS804 standard)	

HY-L800 series

Dimension (unit : mm)

■ Roller Plunger type


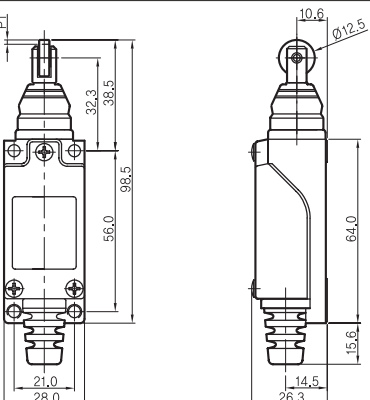
Appearance	Dimension	Operation characteristic
 <p>HY-L802</p>		<p>O.F max : 8.83 N (900 gf) R.F min : 1.47 N (150 gf) P.T max : 1.5 mm O.T min : 2.5 mm M.D max : 0.8 mm TTP : 3.5 mm</p>

Control switch
Combination display light

Power switch
Main switch
Cam switch

Limit switch
Micro switch

■ Cross Roller Plunger type


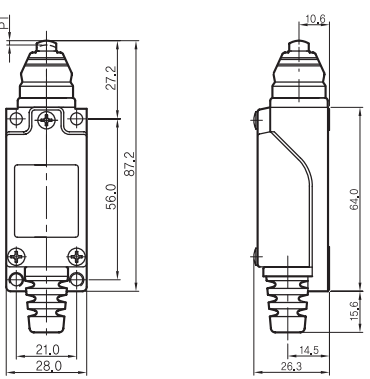
Appearance	Dimension	Operation characteristic
 <p>HY-L802C</p>		<p>O.F max : 8.83 N (900 gf) R.F min : 1.47 N (150 gf) P.T max : 1.5 mm O.T min : 2.5 mm M.D max : 0.8 mm TTP : 3.5 mm</p>

Hoist switch
Foot switch
Mono lever switch

Sign tower
Signal light

Buzzer
Terminal block
Fuse holder


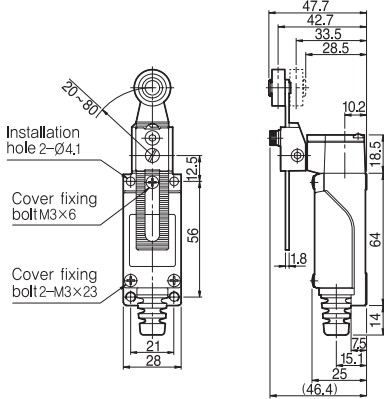
■ Top Plunger type

Appearance	Dimension	Operation characteristic
 <p>HY-L803</p>		<p>O.F max : 8.83 N (900 gf) R.F min : 1.47 N (150 gf) P.T max : 1.5 mm O.T min : 2.1 mm M.D max : 0.8 mm TTP : 3.0 mm</p>


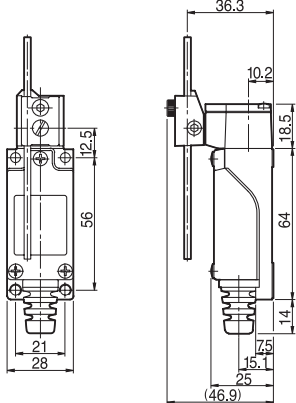
Control box
Cable connector

Discontinued Products


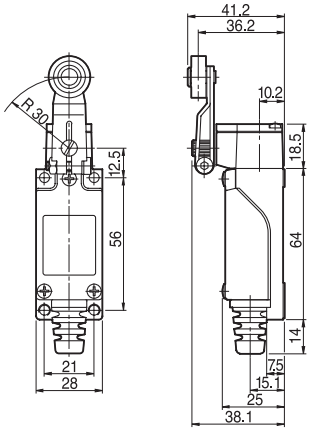
■ Roller Adjustable Lever

Appearance	Dimension	Operation characteristic
 <p data-bbox="258 705 345 726">HY-L804</p>		<p data-bbox="1005 440 1222 465">O,F max : 7,84 N (800 gf)</p> <p data-bbox="1005 479 1190 504">R,F min : 0,2 N (21 gf)</p> <p data-bbox="1005 517 1150 542">P,T max : 20 mm</p> <p data-bbox="1005 556 1129 581">O,T min : 70°</p> <p data-bbox="1005 595 1153 620">M,D max : 10 mm</p>

■ Adjustable Rod Lever


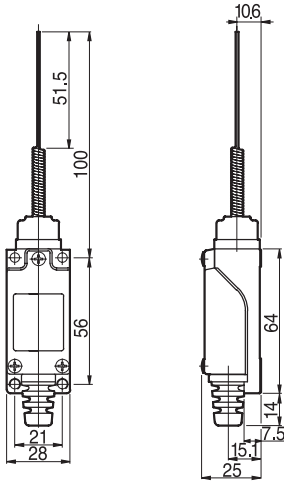
Appearance	Dimension	Operation characteristic
 <p data-bbox="258 1224 345 1246">HY-L807</p>		<p data-bbox="1005 958 1222 983">O,F max : 7,84 N (800 gf)</p> <p data-bbox="1005 996 1190 1022">R,F min : 0,1 N (21 gf)</p> <p data-bbox="1005 1035 1150 1060">P,T max : 20 mm</p> <p data-bbox="1005 1074 1129 1099">O,T min : 70°</p> <p data-bbox="1005 1112 1153 1137">M,D max : 10 mm</p>

■ Roller Lever

Appearance	Dimension	Operation characteristic
 <p data-bbox="258 1781 345 1802">HY-L808</p>		<p data-bbox="1005 1477 1222 1503">O,F max : 5,88 N (400 gf)</p> <p data-bbox="1005 1516 1190 1541">R,F min : 0,5 N (50 gf)</p> <p data-bbox="1005 1555 1129 1580">P,T max : 20°</p> <p data-bbox="1005 1593 1129 1619">O,T min : 70°</p> <p data-bbox="1005 1632 1129 1657">M,D max : 10°</p> <p data-bbox="1005 1671 1129 1696">T,T min : 90°</p>

HY-L800 series

■ Coil spring type


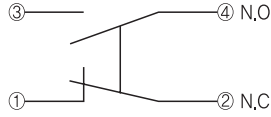
Appearance	Dimension	Operation characteristic
 <p>HY-L809</p>		<p>O.F max : 0.88 N (90 gf) R.F min : - P.T max : 30 mm O.T min : 20 ° M.D max : - T.T min : 30 mm</p>

Control switch
Combination display light

Power switch
Main switch
Cam switch

Limit switch
Micro switch

●● Built in switch and connection diagram

Appearance (HY-800)	Connection diagram
	

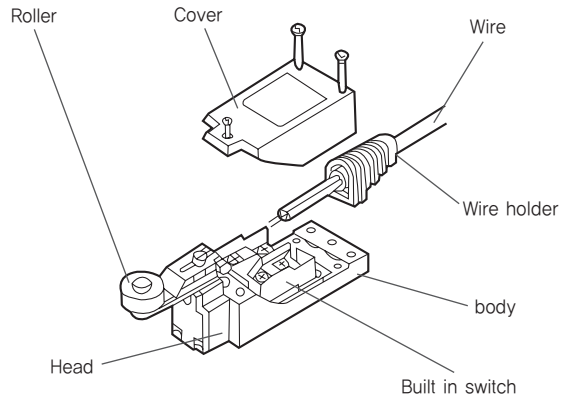
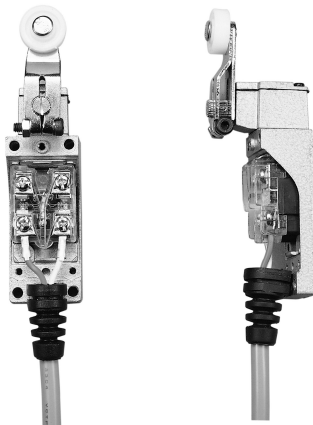
Hoist switch
Foot switch
Mono lever switch

Sign tower
Signal light

●● Structure and name of each part

■ Image (After completed the connection)

■ Name of each part (structure)



Buzzer
Terminal block
Fuse holder

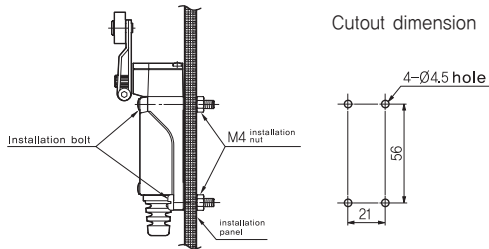
Control box
Cable connector

Discontinued Products

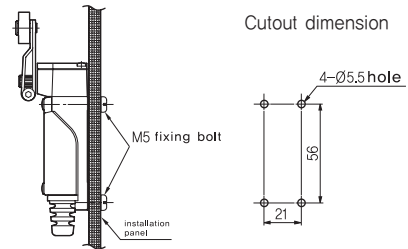
●● Installation method

※Front installation : Use M4 bolt, Back installation : Use M5 bolt.

■ Front installation

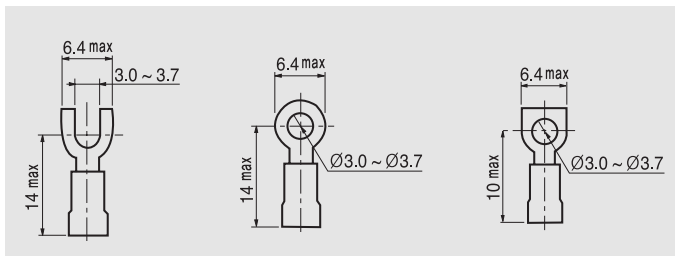


■ Back installation

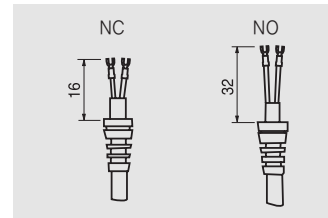


●● Applying pressure terminal

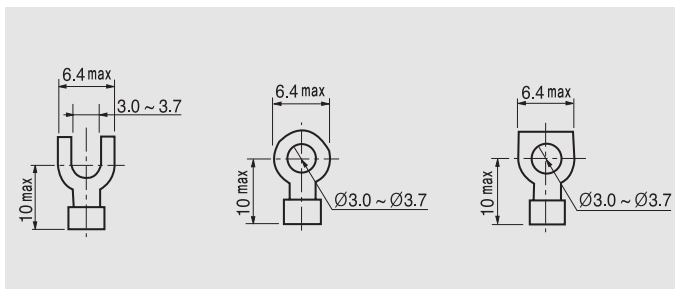
■ Insulation terminal



■ Wire handling when using the pressure terminal



■ Non-insulation terminal



■ Wire handling when not using the pressure terminal

