



# Dial Indicators

## SERIES 2 — Standard Type, Inch Reading



2416S



2803S-10

### Optional Accessories

- : Backs (See page F-33.)
- : Contact points (See page F-34.)

### SPECIFICATIONS

Inch		Stem 3/8" dia. #4-48 UNF Thread		ANSI/AGD type							
Graduation	Range	Range /Rev	Dial Reading	Order No.		Accuracy		Measuring force	Shockproof	Reverse reading	Jeweled bearing
				w/lug	Flat-back	First 2.5 Rev	Overall				
.0001"	.025"	.01"	0-10	<b>2802S-10</b>	<b>2802SB-10</b>	±.0001"	±.0001"	2.5N or less	✓		✓
.0001"	.025"	.01"	0-5-0	<b>2803S-10</b>	<b>2803SB-10</b>	±.0001"	±.0001"	2.5N or less	✓		✓
.0001"	.05"	.01"	0-10	<b>2804S-10</b>	<b>2804SB-10</b>	±.0001"	±.0002"	2.0N or less	✓		✓
.0001"	.05"	.01"	0-5-0	<b>2805S-10</b>	<b>2805SB-10</b>	±.0001"	±.0002"	2.0N or less	✓		✓
.0001"	.05"	.01"	10-0	<b>2905S-10</b>	<b>2905SB-10</b>	±.0001"	±.0002"	2.0N or less	✓	✓	✓
.0001"	.05"	.01"	0-5-0	<b>2923S-10</b>	<b>2923SB-10</b>	±.0001"	±.0002"	2.0N or less	✓	✓	✓
.0001"	.25"	.01"	0-10	<b>2356S-10</b>	<b>2356SB-10</b>	±.0001"	±.0005"	2.0N or less			✓
.0001"	.5"	.01"	0-10	<b>2358S-10</b>	<b>2358SB-10</b>	±.0001"	±.0008"	2.0N or less			✓
.0005"	.125"	.05"	0-50	<b>2506S</b>	<b>2506SB</b>	±.0005"	±.0005"	1.8N or less			
.0005"	.125"	.05"	0-25-0	<b>2507S</b>	<b>2507SB</b>	±.0005"	±.0005"	1.8N or less			
.0005"	.125"	.05"	0-25-0	<b>2922S</b>	<b>2922SB</b>	±.0005"	±.0005"	1.8N or less		✓	
.0005"	.5"	.05"	0-50	<b>2514S</b>	<b>2514SB</b>	±.0005"	±.0015"	1.8N or less			
.0005"	1"	.05"	0-50	<b>2776S</b>	<b>2776SB</b>	±.0005"	±.002"	2.5N or less			
.001"	.5"	.1"	0-100	<b>2414S</b>	<b>2414SB</b>	±.001"	±.001"	1.8N or less			
.001"	.5"	.1"	100-0	<b>2914S</b>	<b>2914SB</b>	±.001"	±.001"	0.4-1.8N		✓	
.001"	.5"	.1"	0-50-0	<b>2415S</b>	<b>2415SB</b>	±.001"	±.001"	1.8N or less			
.001"	1"	.1"	0-100	<b>2416S</b>	<b>2416SB</b>	±.001"	±.002"	1.8N or less			
.001"	1"	.1"	0-100	<b>2416S-06*</b>	<b>2416SB-06*</b>	±.001"	±.002"	1.8N or less			
.001"	1"	.1"	0-100	<b>2416S-10</b>	<b>2416SB-10</b>	±.001"	±.002"	1.8N or less			✓
.001"	1"	.1"	0-50-0	<b>2417S</b>	<b>2417SB</b>	±.001"	±.002"	1.8N or less			
.001"	1"	.1"	100-0	<b>2904S</b>	<b>2904SB</b>	±.001"	±.002"	1.8N or less		✓	
.001"	2"	1"	0-100	<b>2424S-19</b>	<b>2424SB-19</b>	±.001"	±.003"	2.5N or less	✓		✓

\* Black Face



Shockproof type



Reverse reading type



Jeweled bearing type

# Dial Indicators

## SERIES 2 — Standard Type, Inch Reading



2506S

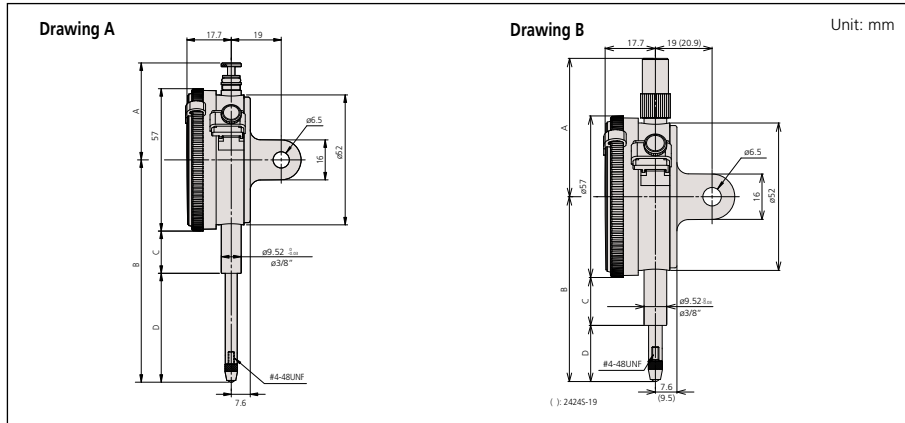


2923S-10



2424S-19

### DIMENSIONS



### 2 Group Inch

Order No.	A	B	C	D	Drawing
2356S(B)-10	48.8	57.2	13.6	15.1	B
2358S(B)-10	38.9	63.6	13.6	21.5	A
2414S(B)	38.9	64.1	13.6	22	A
2415S(B)	38.9	64.1	13.6	22	A
2416S(B)	38.9	76.8	13.6	34.7	A
2416S(B)-06	38.9	76.8	13.6	34.7	A
2416S(B)-10	38.9	76.8	13.6	34.7	A
2417S(B)	38.9	76.8	13.6	34.7	A
2424S(B)-19	118.5	142.5	54.3	59.7	B
2506S(B)	48.8	54.3	13.6	12.2	B
2507S(B)	48.8	54.3	13.6	12.2	B
2514S(B)	38.9	64.1	13.6	22	A

Order No.	A	B	C	D	Drawing
2776S(B)	38.9	76.8	13.6	34.7	A
2802S(B)-10	48.8	51.4	13.6	9.3	B
2803S(B)-10	48.8	51.4	13.6	9.3	B
2804S(B)-10	48.8	51.7	13.6	9.6	B
2805S(B)-10	48.8	51.7	13.6	9.6	B
2904S(B)	38.9	76.8	13.6	34.7	A
2905S(B)-10	48.8	51.7	13.6	9.6	B
2914S(B)	38.9	64.1	13.6	22	A
2915S(B)-10	52.2	63.3	13.6	21.2	A
2918S(B)-10	52.2	63.3	13.6	21.2	A
2922S(B)	48.8	54.3	13.6	12.2	B
2923S(B)-10	48.8	51.7	13.6	9.6	B