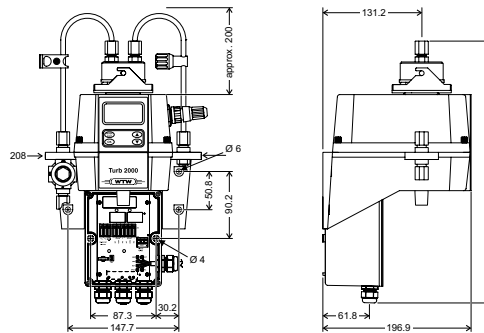


Turb PLUS 2000 Turbidity Analyzer



WTW's Turb PLUS 2000 continuously monitors turbidity in drinking water using DIN EN ISO 7027 or EPA 180.1 compliant method. Equipped with ultrasonic cleaning.

We would like to inform you about the application range on our website



Technical Data

Model	Turb PLUS 2020	Turb PLUS 2120
Measurement principle	Scattered light measurement white light, nephelometric measurement	Scattered light measurement infrared light, nephelometric measurement
Measurement Range	Factory setting: 0 ... 100 NTU; optional measuring ranges 0 ... 10 and 0 ... 1000 NTU (loaded on USB)	
Resolution	Down to 0.0001 NTU	
Accuracy	±2 % of reading or ±0.02 NTU below 40 NTU whichever is greater (0-100 and 0-1000 ranges) ±5 % of reading above 40 NTU (0-100 and 0-1000 NTU ranges) ±2 % of reading or ±0.02 NTU (0-10 NTU range)	
Limit of Detection	0.02 NTU	
Response time	Adjustable (1 ... 60 readings)	
Sample Temperature	1 °C ... 50 °C (34 °F ... 122 °F)	
Sample Flow Rate	100 ml/min. ... 1.5 liter/min. (0.026 ... 0.40 Gal/min)	
Maximum Water Pressure	Integral pressure regulator rated 7 bar (101.5 PSI)	
Cleaning	Ultrasonic cleaning	
Calibration	Factory calibrated to 0 ... 100 NTU, recalibration required every three months and after change of measuring range	
Display	Multi-Line Liquid Crystal Backlit Display	
Mounting	Wall mounting with 6 screws	
Regulatory Compliance	Compliant to U.S. EPA 180.1	Compliant to DIN EN ISO 7027
Power	100-240 V AC, 47-63 Hz, 80 VA	
Relays	Two Programmable, 120-240 V AC 2A Form C Relay	
Analog Output	One powered 4-20 mA, 1000 W drive	
Digital Output	Bi-directional RS-485, Modbus RTU	
Environmental conditions	Storage Temperature Range: 1 °C ... 50 °C (34 °F ... 122 °F) Operating Temperature Range: 1 °C ... 50 °C (34 °F ... 122 °F) Relative Humidity: Up to 95 % (non-condensing) Not recommended for outdoor use. Altitude up to 2000 meters.	
Certification	CE, cETLus CE Approved, LC listed to UL 61010-1 3rd Edition: 2012 LC: Certified to CSA 22.2 No.61010-1-12: 2012	
Mechanics	Wetted Materials: Nylon, Borosilicate Glass, Silicone, Polypropylene, Stainless Steel, Viton, Acety Housing: ABS (Double Insulated, Pollution Degree 2, Overvoltage Category II)	
Weight	2.8 kg (6.2 lbs.)	
Warranty	2 years on defects in quality according to § 10 terms of conditions	

Model	Description	Order No.
Turb PLUS 2020	Online turbidity meter, with white light and integrated bubble trap; nephelometric measurement specified according to US EPA 180.1, with ultrasonic cleaning 110-240 VAC	600026
Turb PLUS 2120	Online turbidity meter, with infrared light and integrated bubble trap; nephelometric measurement specified according to DIN EN ISO 7027, with ultrasonic cleaning 110-240 VAC	600036
Turb PLUS 2120 Set	Turb PLUS 2120 including external bubble trap	600037
BC-Turb/DW	External bubble trap	600041
Kal Kit Turb/DW	Calibration standard set with standards 0.02, 10 and 1000 NTU, cleaning tissues and designation rings	600052
Kal Kit Turb PLUS 2000	Calibration standard set with standards 0.02, 10 and 100 NTU, cleaning tissues and designation rings	600054
Kal Kit Turb 2110/DW	Calibration standard set with standards 0.02, 1 and 10 NTU, cleaning tissues and designation rings	600056