

Fluke i30s AC/DC Current Clamp

Technical Data



The i30s current clamp is based on Hall effect technology for use in measurement of both dc and ac current. The i30s may be used in conjunction with oscilloscopes and other suitable recording instruments for accurate non-intrusive current measurement.

Electrical specifications

Specified current range: 30 mA to 30 A DC, 30 mA to 20 A AC rms
Usable current range: 5 mA to 30 A DC, 30 mA to 20 A AC rms
Crest factor: 1.4
Output sensitivity: 100 mV/A
Accuracy (at +25 °C): $\pm 1\%$ of reading ± 2 mA
Resolution: ± 1 mA
Load impedance: > 100 k Ω
Conductor position sensitivity: $\pm 1\%$ relative to centre reading
Frequency range: DC to 100 kHz (-0.5 dB)
Phase shift below 1 kHz: < 2 degrees
Temperature coefficient: $\pm 0.01\%$ of reading/ $^{\circ}$ C
Power supply: 9 V Alkaline, MN1604/PP3, 30 hours, low battery indicator
Working voltage (see Safety Standards section): 300 V ac rms or dc

General specifications

Maximum conductor size: 19 mm (.748 in) diameter
Output connection: Safety BNC connector, supplied with safety 4 mm (.157 in) adapter
Output zero: Manual adjust via thumbwheel
Cable length: 2 m (6.56 ft)
Operating temperature range: 0 °C to +50 °C (-32 °F to 122 °F)
Storage temperature range (with battery removed): -20 °C to +85 °C (-4 °F to 185 °F)
Operating humidity: 15 % to 85 % (non-condensing)
Weight: 250 g (.55 lb)

Safety standards

BS EN 61010-1: 2001
 BS EN 61010-2-032: 2002
 BS EN 61010-031: 2002

300 Vrms, Category III, Pollution Degree 2

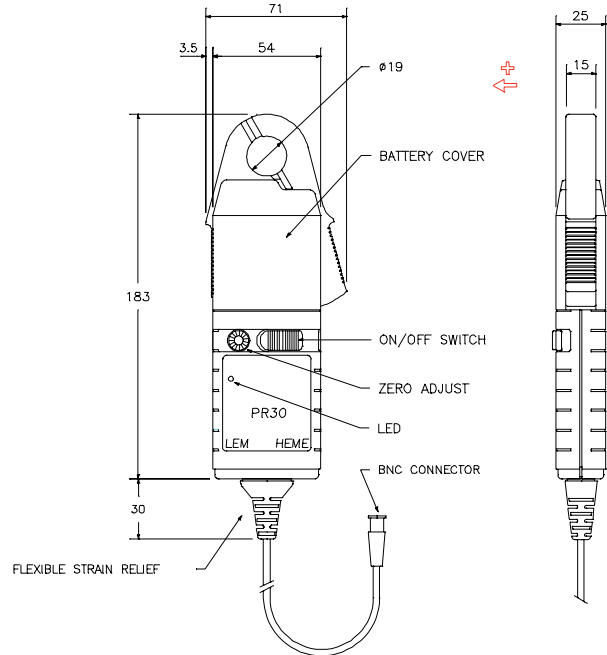
Use of the probe on uninsulated conductors is limited to 300 V acrms or dc and frequencies below 1 kHz.

EMC Standards

EN 61326: 1998 +A1, A2, & A3

Dimensions (HxWxD)

183 mm x 71 mm x 25 mm (7.2 in x 2.8 in x 1 in)



Ordering information

i30s AC/DC Current Clamp



i30s connected to a Fluke 199C ScopeMeter.

Fluke. Keeping your world up and running.

Fluke Corporation
 PO Box 9090, Everett, WA USA 98206
 Fluke Europe B.V.
 PO Box 1186, 5602 BD
 Eindhoven, The Netherlands
 For more information call:

Shop for Fluke products online at: www.MyFlukeStore.com **1.877.766.5412**

fax +31 (0) 40 4 010 222
 In Canada (800) 36-FLUKE or