



## Description

Capsule Diaphragm Pressure Gauges are designed for accurate measurements of low-pressure ranges. They have various case designs and process connections for different industrial applications.

A modular capsule diaphragm made of copper-beryllium is the pressure sensing element of those pressure gauges. Therefore, capsule diaphragm pressure gauges are compatible with process fluids that do not wear copper-beryllium material. Under relative or vacuum pressure, the amount of capsule diaphragm's expansion or contraction is proportional to the applied pressure and this is directly transferred to the movement of the pressure gauge.

## Industrial Applications

Heat engineering, medical applications, environmental technology, lab technology, filter monitoring,

## General Specifications

### Conformity:

EN 837-3

### Sizes (mm):

Ø63, Ø100, Ø160

### Unit:

mbar

### Measurement Ranges:

Ø63: -1000/0, 0/25...1000 mbar  
 Ø100: -1000/0, 0/16...1000 mbar  
 Ø160: -1000/0, 0/2.5...1000 mbar  
 and equivalent compound gauges

### Accuracy Class:

Cl. 1.6

### Working Pressure:

75% of Full Scale

### Overpressure Resistance:

1.25xFull Scale

### Ingress Protection Rate:

IP41

### Versions:

Standard

### Working Temperature Range:

Ambient: -20...60°C  
 Process: -20...60°C  
 Storage: -40...70°C

### Process Connections:

G1/4"B (Ø63mm)  
 G1/2"B (Ø100mm, Ø160mm)

### Materials:

#### Capsule Diaphragm:

Copper Beryllium

#### Socket:

Brass

#### Case:

Yellow Painted Metal (Optional: Black Painted)

#### Cover:

Ø63: Acrylic  
 Ø100, Ø160: Yellow Painted Metal

#### Movement:

Brass

#### Window:

Ø63: Acrylic  
 Ø100, Ø160: Glass (Optional: Safety Glass)

#### Dial:

Aluminium

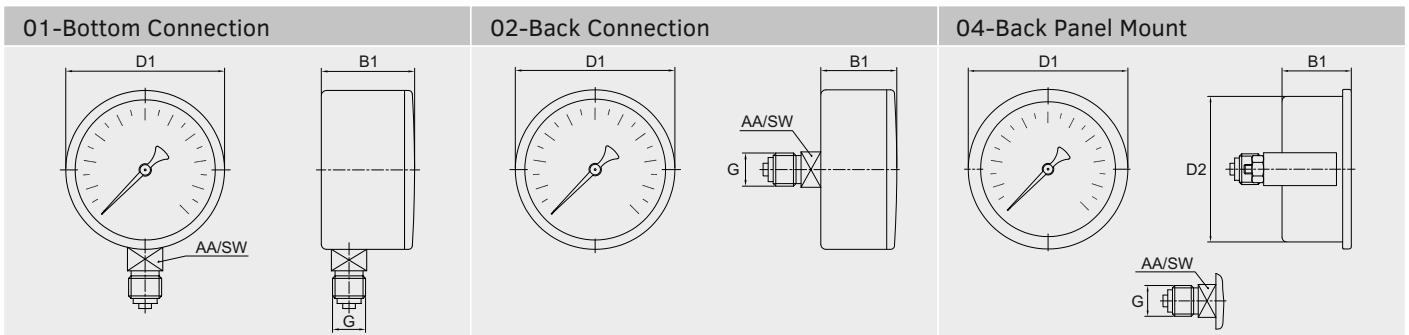
#### Pointer:

Aluminium

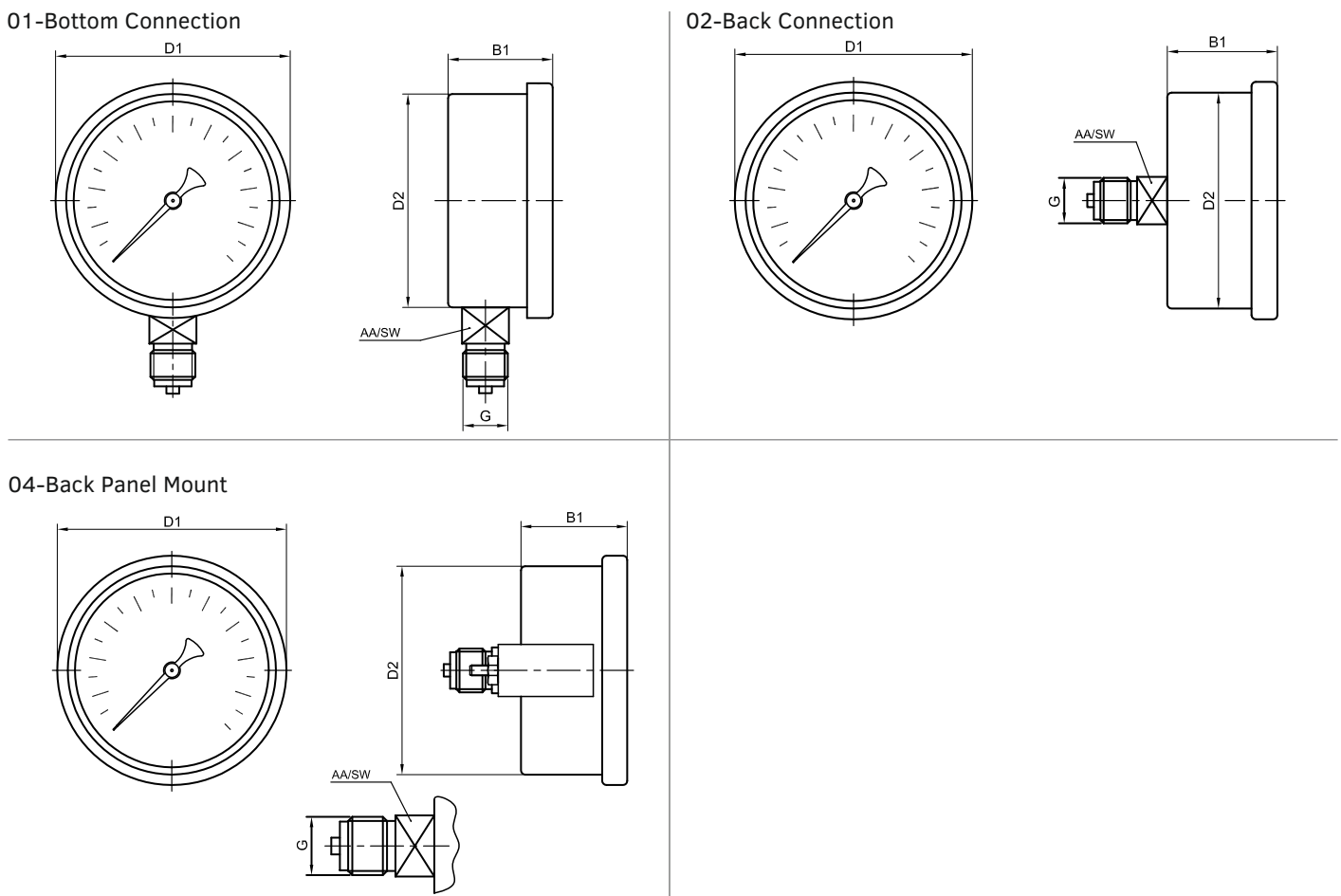
### Options:

Other Process Connections  
 Other Pressure Units  
 Special Dial Design  
 Nitrogen (N) Dial  
 Oxygen (O) Dial  
 Argon (Ar) Dial

**Dimensions (mm) Ø63**

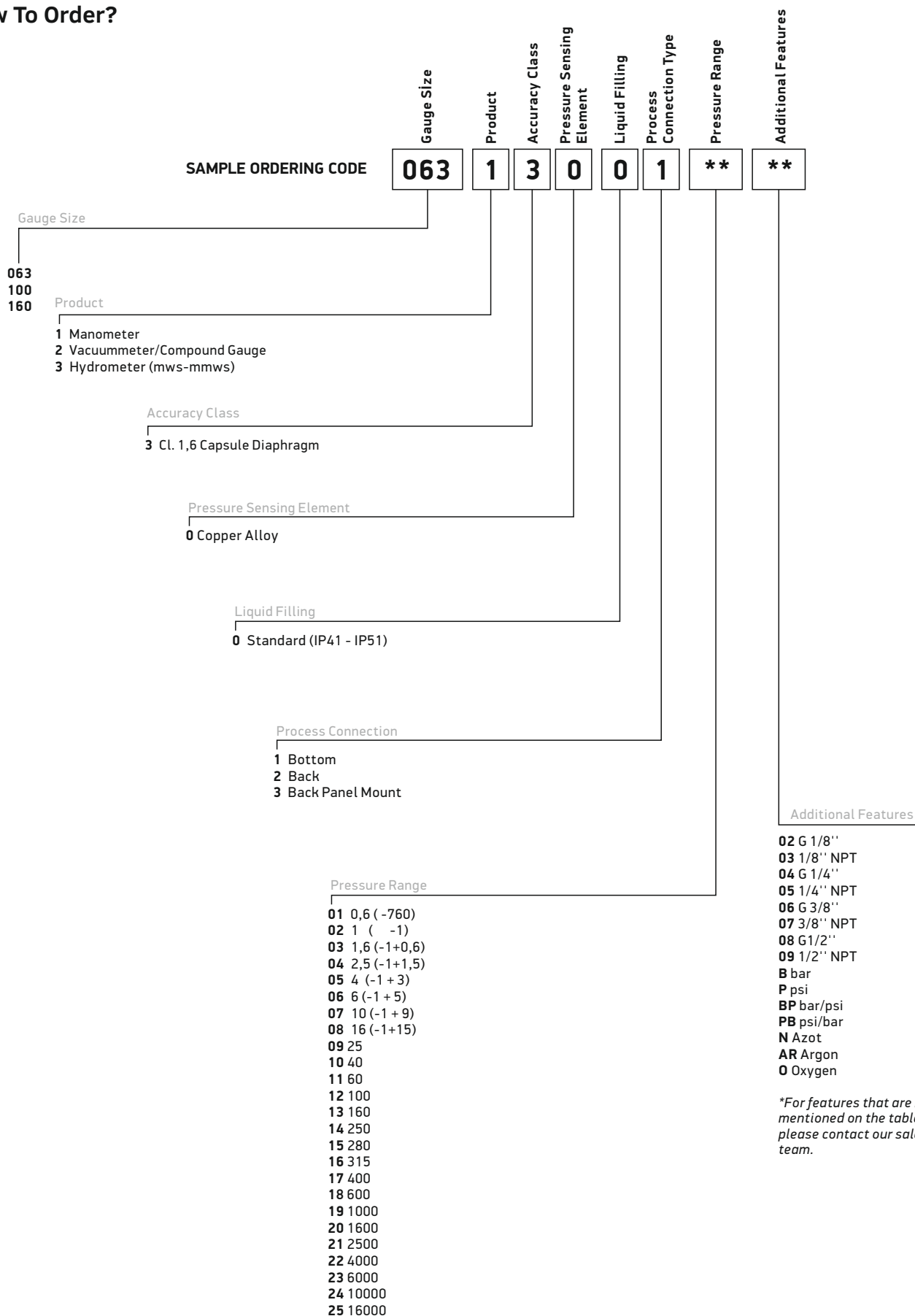


**Dimensions (mm) Ø100, Ø160**



Ø	Connections	Version	Case	Window	Cover	D1	D2	B1	G	AA/SW
Ø63	Bottom	Standard	Metal	Acrylic	Acrylic	63	-	35,5	G1/4"	14
	Back	Standard	Metal	Acrylic	Acrylic	63	-	30	G1/4"	14
	Back Panel Mount	Standard	Metal	Acrylic	Acrylic	68	63	29	G1/4"	14
Ø100	Bottom	Standard	Metal	Glass	Metal	110	100	48	G1/2"	22
	Back	Standard	Metal	Glass	Metal	110	100	48	G1/2"	22
	Back Panel Mount	Standard	Metal	Glass	Metal	110	100	48	G1/2"	22
Ø160	Bottom	Standard	Metal	Glass	Metal	174	158	48	G1/2"	22
	Back	Standard	Metal	Glass	Metal	174	158	48	G1/2"	22
	Back Panel Mount	Standard	Metal	Glass	Metal	174	158	48	G1/2"	22

## How To Order?



### Approvals:

---



Turkish Standards Institution



ISO 9001 Quality Management System



TURKAK Calibration Laboratory Accreditation Certificate



2014/68/EU Pressure Equipment Directive - Certificate of Conformity



Gost Certificate

*System and quality certifications of PAKKENS Inc.  
Product and product group certifications may vary*