

# Smart Commercial / Light Industrial Combustion Analyzer

testo 330i



The first *smart* combustion analyzer with powerful app driven data acquisition and reporting using Smart phones or tablets

Measures O<sub>2</sub>, CO (with extended range: 30,000 ppm and over-range protection) NO/NO<sub>x</sub> (Optional)

Calculates CO<sub>2</sub>, efficiency, excess air, and CO free air

Remote operation via Bluetooth using smart device and free app enables operation without the need for a long probe hose

On-site reports sent via email or print with optional BT Printer

Detachable flue gas probe securely attaches to the stack using the testoFix probe holder

Rugged, completely sealed housing for use in tough conditions

O<sub>2</sub> / CO Long-Life Sensors (up to 6 years)



The testo 330i combines proven Testo combustion technology with the revolutionary power of Smart-Bluetooth operation (iOS or Android).

- Field replaceable sensors with up to 6 years of life
- Start-stop the analyzer, zero the sensors remotely without removing the probe from the stack
- Differential pressure / Differential temperature
- Generate service reports and email to back office directly from your smart device

Pre-configured reports are included with the powerful Smart Combustion App. Submit your PDF / Excel reports to your office or customer by e-mail as an attachment.

The Testo 330i has the most powerful interface and operation of any combustion analyzer in the market today. Wireless operation of the instrument is performed via the powerful Combustion App and your smart device. Bluetooth connection allows you to operate your instrument remotely while you track your data from a convenient location.

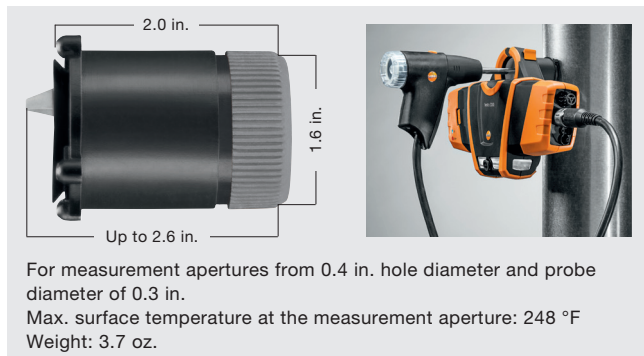
The App is easy-to-use, select the parameters and watch in real time as the measurement results are displayed on your iOS/Android smart device. View your combustion analysis in colorful charts, graphs, and tables. You can use included reports, or create custom measurement reports. Add comments and photos, to your reports and then send them by email. The Testo 330i is the most advanced combustion analyzer today.



# Ordering data

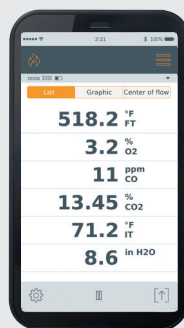
## testoFix probe mount

Newly developed: Securely fixes the probe and the measuring instrument to the plant.



## testo 330i App

The App turns your Smartphone/tablet into the display of the testo 330i.



The operation of the measuring instrument as well as the display of the measurement values take place by Bluetooth via the testo 330i App on your Smartphone or tablet – independently of the measurement location. In addition to this, you can use the App to create measurement reports, add photos and comments to these, and send them by e-mail. For iOS and Android.

## Measuring instrument

### Order no.

testo 330i flue gas analyzer with Longlife gas sensors and integrated draft, gas zeroing, 3 slots, incl. H <sub>2</sub> -compensated CO sensor, O <sub>2</sub> sensor, rechargeable battery and certificate of conformity	0632 3000 71
testo 330i flue gas analyzer with Longlife gas sensors and integrated draft, gas zeroing, 3 slots, incl. O <sub>2</sub> /CO sensor, rechargeable battery and certificate of conformity	0632 3000 70
testo 330i flue gas analyzer with Longlife gas sensors and integrated draft, gas zeroing, 3 slots, incl. CO/NO sensor, rechargeable battery and certificate of conformity	0632 3000 72
testo 330i flue gas analyzer with Longlife gas sensors and integrated draught and gas zeroing, 3 slots, incl. H <sub>2</sub> -compensated CO sensor, NO sensor, rechargeable battery and certificate of conformity	0632 3000 73

## Spare gas sensors

### Order no.

O <sub>2</sub> sensor	0393 0002
CO sensor, without H <sub>2</sub> -compensation, 0 to 4,000 ppm	0393 0051
CO sensor, H <sub>2</sub> -compensated, 0 to 8,000 ppm	0393 0101
NO sensor 0 to 3,000 ppm	0393 0151
Retrofit NO sensor, 0 to 3,000 ppm	0554 2151

## Accessories

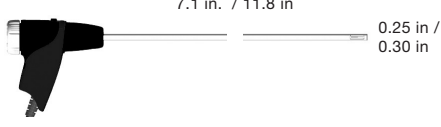
### Order no.

testoFix probe mount for flue gas probes with 0.3 in. diameter	0554 3006
Smoke tester incl. oil and soot papers for measuring soot in flue gas, excl. cone (order no. 0554 9010)	0554 0307
Hose connection set with adapter for separate gas pressure measurement	0554 1203
Differential temperature set consisting of 2 Velcro probes and temperature adapter	0554 1208
AC power adaptor, 100-240 V AC / 6.3 V DC; for AC operation or battery charging in the instrument	0554 1096
Spare rechargeable battery 2600 mA	0515 0107
Charger for spare rechargeable battery	0554 1103
testo 330i BLUETOOTH®-/IRDA printer, incl. 1 roll of thermal paper, rech. battery, and AC power adaptor	0554 0621
Spare thermal paper for printer, permanent ink (6 rolls)	0554 0568
Adhesive envelopes for storing printout, (50 count)	0554 0116
Spare dirt filter for probe handle, modular probe; 10 pcs.	0554 3385
Instrument case for testo 330i, probes and accessories 20.5 x 8.3 x 15.75 WxHxD (520 x 130 x 400 mm)	0516 3302
Instrument case for testo 330i, probes and accessories 20.5 x 8.3 x 15.75 WxHxD (520 x 210 x 400 mm)	0516 3303
ISO calibration certificate flue gas	0520 0003
USB connection cable, instrument-PC, testo 330i / 330-1/-2 LL / testo 335	0449 0047

# Probes

## Modular flue gas probes

### Order no.

Modular flue gas probe incl. cone for fixing; thermocouple NiCr-Ni; hose 25.6 in. (650 mm); dirt filter; length 7.1 in. (180 mm); 0.3 (8 mm); Tmax. 932 °F (+500 °C); TÜV-tested		0600 9780
Modular flue gas probe incl. cone for fixing; thermocouple NiCr-Ni; hose 25.6 in. (650 mm); dirt filter; length 11.8 in. (300 mm); 0.3 (8 mm); Tmax. 932 °F (+500 °C); TÜV-tested		0600 9781
Modular flue gas probe incl. cone for fixing; thermocouple NiCr-Ni; hose 25.6 in. (650 mm); dirt filter; length 7.1 in. (180 mm); 0.25 (6 mm); Tmax. 932 °F (+500 °C)		0600 9782
Modular flue gas probe incl. cone for fixing; thermocouple NiCr-Ni; hose 25.6 in. (650 mm); dirt filter; length 11.8 in. (300 mm); 0.25 (6 mm); Tmax. 932 °F (+500 °C)		0600 9783

## Other probes

### Order no.

Dual wall clearance probe for O <sub>2</sub> air input measurement	0632 1260
Multi-hole probe shaft, length 7.1 in. (180 mm), 0.3 in (8 mm), for CO mean value calculation	0554 5763
Multi-hole probe shaft, length 11.8 in. (300 mm), 0.3 in (8 mm), for CO mean value calculation	0554 5762
Probe shaft, length 7.1 in. (180 mm), 0.3 in. (8 mm), Tmax. 932 °F (+500 °C)	0554 9760
Probe shaft, length 11.8 in. (300 mm), 0.3 in. (8 mm), Tmax. 932 °F (+500 °C)	0554 9761
Probe shaft, length 13.2 in. (335 mm), 0.3 in. (8 mm), Tmax. 1,800 °F (+1,000 °C)	0554 8764
Modular solid fuel set with sintered filter and condensate trap	0600 9765

## Combustion air temperature probe

### Order no.

Combustion air temperature probe, immersion depth 7.5 in. (190 mm)	0600 9787
Combustion air temperature probe, immersion depth 2.4 in. (60 mm)	0600 9797

# testo 330i (Bluetooth Commercial / Light Industrial Combustion Analyzer)

## Kit #1 (Part no. 0563 3000 71)

Kit includes: Bluetooth Analyzer with O<sub>2</sub>, CO (H<sub>2</sub> compensated, 30,000 ppm) sensors, flue gas probe (5/16" dia., 12" long, 2 ft hose), Li-Ion rechargeable battery, universal AC adapter, particle filters (pack of 10), heavy duty carrying case, TestoFix probe mount, certificate of conformity

## Kit #2 (Part no. 400563 3002)

Kit includes all components Kit #1 PLUS: NO/NO<sub>x</sub> sensor (0-3,000 ppm)

## Kit #3 (Part no. 0563 3000 72)

Kit includes: Bluetooth Analyzer with O<sub>2</sub>, CO (H<sub>2</sub> compensated, 30,000 ppm) sensors, Li-Ion rechargeable battery, universal AC adapter, particle filters (pack of 10), heavy duty carrying case, certificate of conformity **(NOTE: Flue Gas Probe and TestoFix probe mount NOT Included)**

**REQUIRED** - Free testo 330i Combustion App for iOS or Android



## Technical data

General Specifications	
Compatibility	Requires iOS 7.1 or newer / Android 4.3 or newer; requires Bluetooth 4.0 (30 ft. unobstructed)
Storage temperature	-4 to 122 °F
Operating temperature	23 to 113 °F
Power supply	AC power adaptor 6 V / 1.2 A (optional); Rechargeable batteries 3.7 V / 2.6 Ah
Memory	500,000 readings
Weight	1.44 lbs. (excluding battery)
Dimensions	10.6 x 6.3 x 2.24 in. (270 x 160 x 57 mm)
Warranty	Instrument/probe/gas sensors O <sub>2</sub> , CO: 4 years; NO sensor: 2 years; Thermocouple and rechargeable battery: 12 months

Measurement parameters	Range	Accuracy	Resolution
<b>Temperature (dependent on the thermocouple in the flue gas probe)</b>	-40 to 1,800 °F	±0.8 °F (0.0 to 212.0 °F) ±0.5 % of m.v. (remaining meas. range)	±0.1 °F (-40 - 1,800 °F) ±1 °F (remaining meas. range)
<b>Draft</b>	-4 to 16 inH <sub>2</sub> O	±0.08 inH <sub>2</sub> O or ± 5 % of m.v. (-1.2 to 0.24 inH <sub>2</sub> O) ±0.12 inH <sub>2</sub> O (0.24 to 1.2 inH <sub>2</sub> O) ±1.5 % of m.v. (1.2 to 16 inH <sub>2</sub> O) (the greater value applies)	0.04 inH <sub>2</sub> O
<b>Pressure</b>	0 to 120 inH <sub>2</sub> O	±1.2 inH <sub>2</sub> O (0.0 to 20 inH <sub>2</sub> O) ±1 % of m.v. (20.01 to 40 inH <sub>2</sub> O) ±1.5 % of m.v. (remaining meas. range)	0.04 inH <sub>2</sub> O
<b>O<sub>2</sub></b>	0 to 21 vol. %	±0.2 vol. %	0.1 vol. %
<b>CO (H<sub>2</sub>-compensated)</b>	0 to 8,000 ppm	±10 ppm or ±10 % of m.v. (0 to 200 ppm) ±20 ppm or ±5 % of m.v. (201 to 2,000 ppm) ±10 % of m.v. (2,001 to 8,000 ppm)	1 ppm
<b>CO measurement (H<sub>2</sub>-compensated) with activated measuring range extension</b>	0 to 30,000 ppm	±200 ppm or ±20 % of m.v. (0 to 30,000 ppm)	1 ppm
<b>Efficiency testing (Eta)</b>	0 to 120 %		0.1 %
<b>Flue gas loss</b>	0 to 99.9 %		0.1 %
<b>CO<sub>2</sub> determination (Calculation from O<sub>2</sub>)</b>	Display area 0 to CO <sub>2</sub> max	±0.2 vol. %	0.1 vol. %
<b>NO / NO<sub>x</sub>: (Optional)</b>	0 to 3,000 ppm	±5 ppm (0 to 100 ppm) ±5 % of m.v. (101 to 2,000 ppm) ±10 % of m.v. (2,001 to 3,000 ppm)	1 ppm



Testo Inc  
40 White Lake Road  
Sparta, NJ 07871  
P: 1-800-227-0729  
F: 1-862-354-5020  
info@testo.com  
www.testo.com